

# INSTRUCTION MANUAL

## V250D80/V250D80R

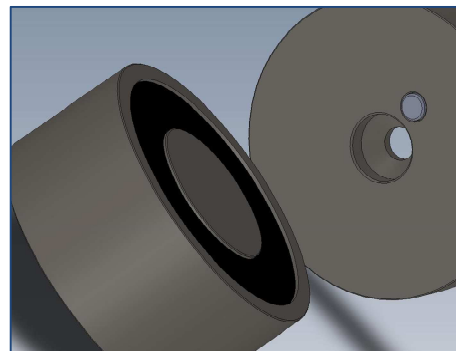
ROUND MAGNET FOR TRAFFIC BARRIER



Thank You for your confidence with the DiAx brand

### CHARACTERISTICS

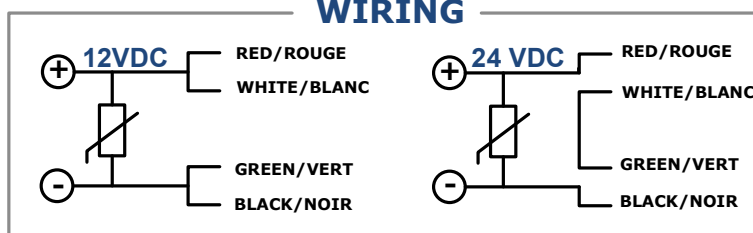
- Fail safe electromagnet
- Electromagnet dimensions: 80mm x 38mm
- Armature plate dimensions: 80mm x 12mm
- Holding force: 250 daN
- Kick-off (*no residual magnetism*)



### CONSUMPTION

- 420 mA with 12 Vdc
- 210 mA with 24 Vdc

### WIRING

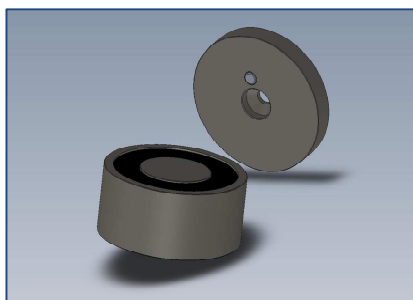


### MONITORING (*Option Reed Switch NO/NC*)

- COM: Black
- NO: Green
- NC: White

### HARDWARE KIT

- 2 screws M8X25
- 2 steel washers
- 1 roll pin 5 X16
- 1 varistor
- 1 rubber wascher



DEEE



CE certification



-20°C à +70°C

### POWER SUPPLIES



ARD212



BS602